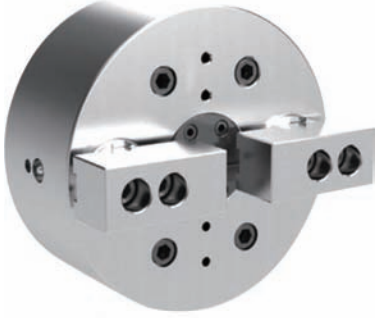


➤ 2SL SERIES

2SL斜拉式動力卡盤

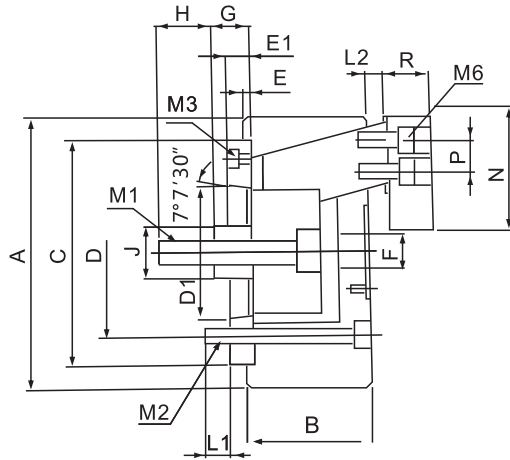
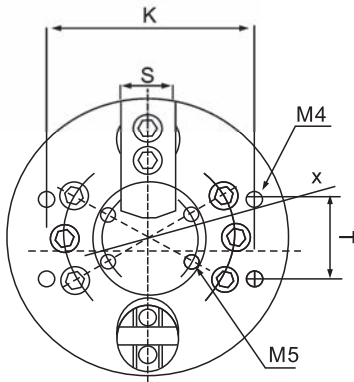
2 SL JAW PULL LOCK POWER CHUCK



- ◎ 采用斜柱後拉式結構，精度高，夾緊力大。
- ◎ 卡盤工作時，由斜柱的後拉將工件拉向定位面再進行夾緊，從而保證了徑向尺寸和軸向尺寸的精度。
- ◎ 本卡盤適合於夾持異型工件，尤其是對垂直度和平行度有要求的工件。
注：此型卡盤祇能做外徑夾持，夾持尺寸變換時，須更換軟卡爪。

- ◎ It's adopted the structure of slanting post with pulling back type, high precision, strong clamping force.
- ◎ The slanting post of the chuck pull the workpiece back to position place, and then clamping it, therefore, the chuck can ensure the accuracy of radial size and axial size.
- ◎ This chuck is applicable for clamping the special shape workpiece, especially, it's applicable for the workpiece which need high precision requirements on squareness and parallelism.

Re: This chuck is only for clamping out diameter, the soft jaws need changing when the clamping size is changed.



型號 Model	連接盤 Adapter	A	B	C (H6)	D	D1	E	E1	F	G max	G min	H	J	K	L1	L2 Min
2SL-05	A4	130	70	110	82.6	63.51	5	15	20	20	8	30	28	100	12	7
2SL-06	A5	165	80	140	104.8	82.56	5	15	30	30	10	35	32	132	13	8
2SL-08	A5	210	85	170	133.4	82.56	5	17	40	30	10	40	37	160	17	9
2SL-08	A6	210	85	170	133.4	106.38	5	23	40	30	10	40	37	160	17	9

型號 Model	連接盤 Adapter	M1	M2	M3	M4	M5	M6	N	P	R	S	T	X
2SL-05	A4	M12	4-M10	4-M16	4-M10	4-M4	4-M8	60	16	30	30	40	35
2SL-06	A5	M16	6-M10	4-M16	4-M10	4-M5	4-M10	73	23	35	35	48	45
2SL-08	A5	M20	6-M12	4-M16	4-M10	4-M6	4-M12	82	26	40	40	60	55
2SL-08	A6	M20	6-M12	4-M16	4-M10	4-M6	4-M12	82	26	40	40	60	55

型號 Model	連接盤 Adapter	楔心行程 Plunger stroke (mm)	爪行程(直徑) Jaw stroke (Dia.) (mm)	許用推拉力 Max DB Pull force KN(kgf)	最大夾緊力 Max clamping force KN(kgf)	最高回轉速 max r.p.m	夾持範圍 Gripping range (mm)	慣性矩 kg·m ²	重量 (Kg) Weight
2SL-05	A4	12	6.2	7.9(800)	13.4(1400)	4000	6-80	0.06	7
2SL-06	A5	20	10.3	11.8(1200)	20.6(2100)	3500	15-100	0.19	13.5
2SL-08	A5	20	10.3	17.6(1800)	31.4(3200)	3000	40-160	0.57	24.5
2SL-08	A6	20	10.3	17.6(1800)	31.4(3200)	3000	40-160	0.57	25.5

* 保留技術更改的權利，恕不另行通知 Subject to technology changes without prior information
* 非標需求可訂做 Non-standard requirements can be made